

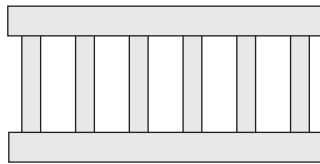
Charleston Headboard Full #7992



Manufactured by
394 Dairy Pak Rd.
Athens, GA 30607
800-543-3393
kdframes.com

H A R D W A R E L I S T

H-2	3 - 1/2" BOLT		8
H-10	HEX WRENCH		1
H-19	1 1/2" SCREW		4



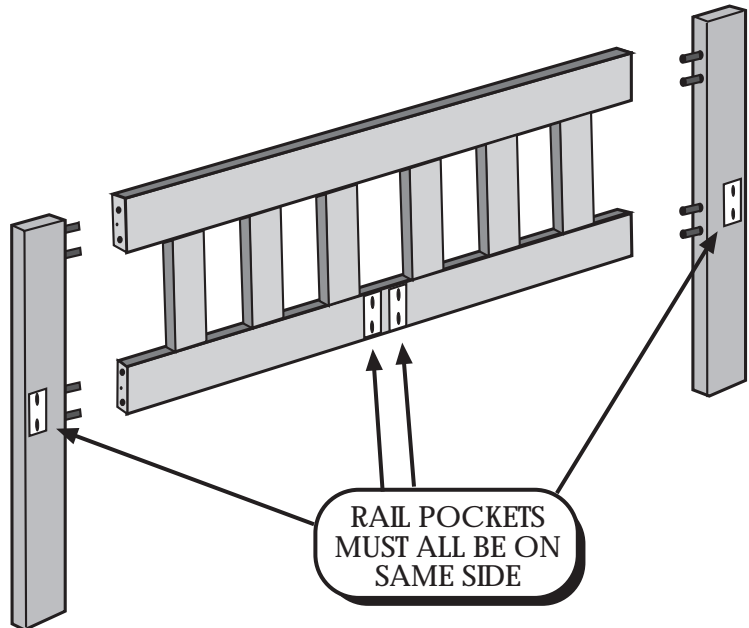
N-7 HEADBOARD
CENTER SECTION (1)



N-8 HEADBOARD LEG (2)

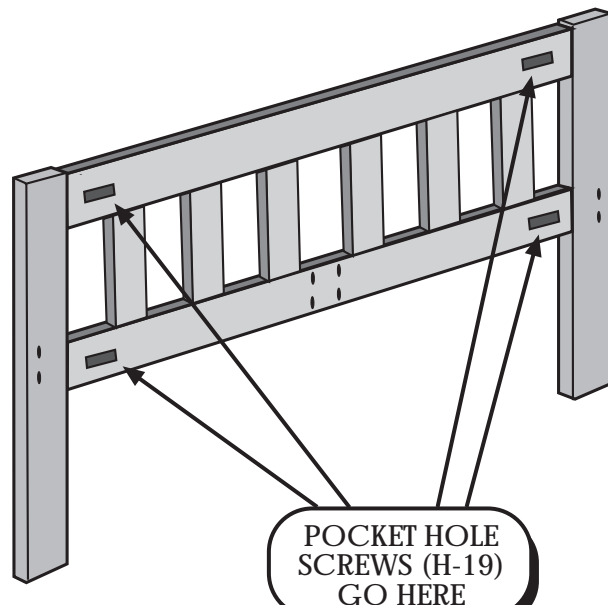
1

Carefully align Headboard parts as shown and press the Legs onto the center section. You must make sure that the rail pockets are aligned as shown.



2

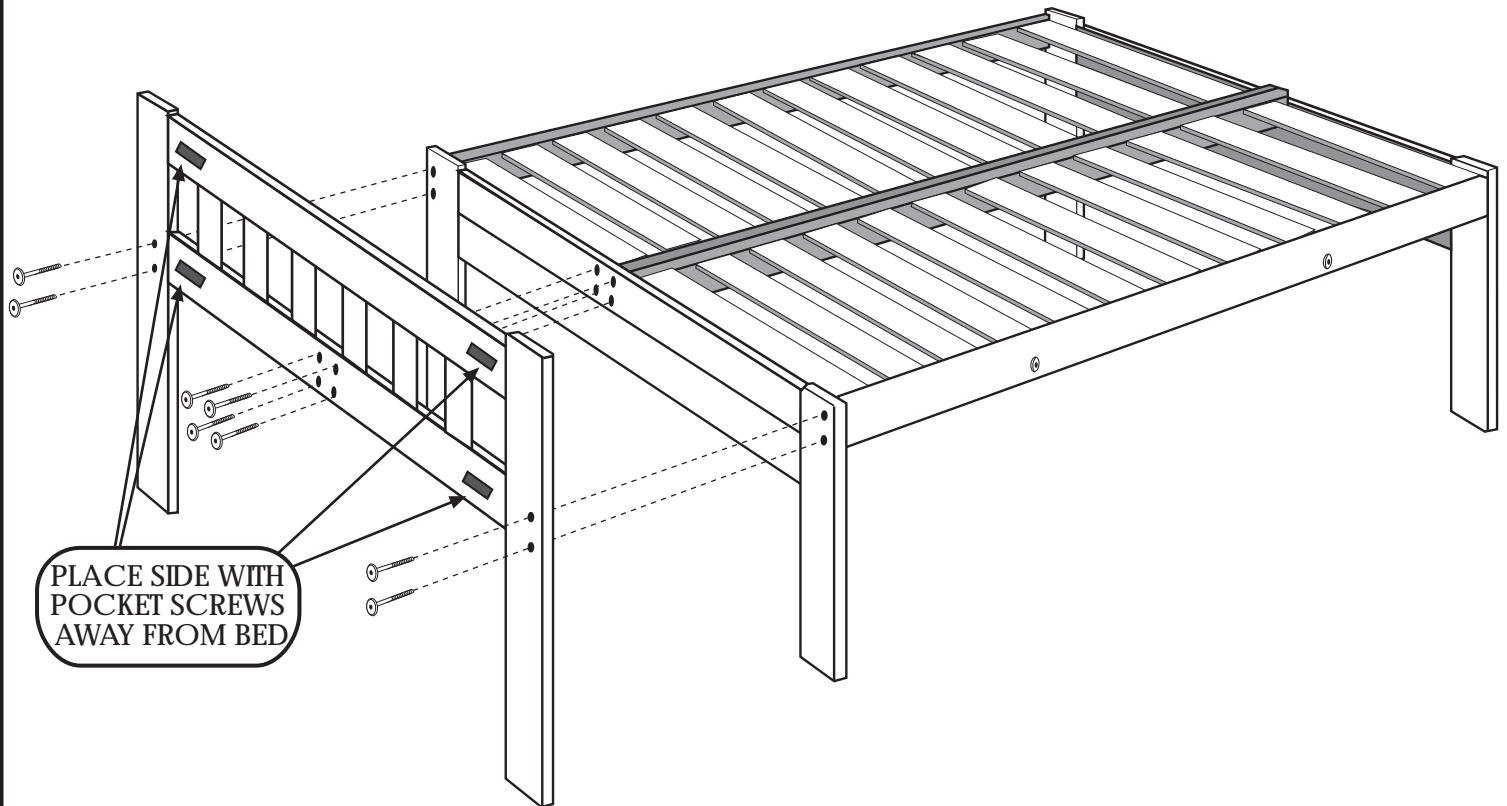
Now turn the Headboard over and secure the legs with 4 wood screws (H-19) using the pocket holes.



3

USE (8) 3 - 1/2" BOLTS TO ATTACH HEADBOARD OVER THE BED END. BOLTS SHOULD GO THROUGH THE HEADBOARD AND BED END

IF YOU PREFER, YOU CAN LEAVE OFF THE BED END AND JUST USE THE HEADBOARD. (USE THE THE 3" BOLTS THAT CAME WITH THE BED.)



Knockdown Frameworks, Inc. warrants all of its products for five years against any defects that are due to faulty materials or workmanship. We will promptly correct such defects by repair or replacement, at our option, without charge. This warranty covers product defects only and will expire five years after date of purchase by the original consumer purchaser, with proof of purchase required.

This warranty does not apply to damage caused by and resulting from misuse, neglect, accident, or improper operation, maintenance, storage, transportation, or handling of the product. This warranty is for the original consumer purchaser for residential use only and does not apply if the product is used in any commercial application (such as rental property). This warranty does not cover any incidental or consequential damages. If you feel that you have a claim under this warranty, please contact the store from which it was purchased. If this is not possible, call 800-543-3393 for advice on handling your claim.

Nomad Bed

Full #7962

Manufactured by



394 Dairy Pak Rd., Athens, GA 30607
800-543-3393 kdframes.com

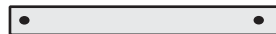
Parts:



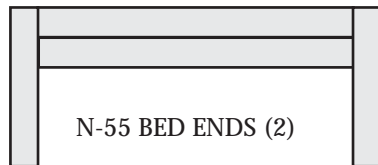
N-75 BED RAIL (4)



N-24 REGULAR SLAT (16)



N-25 CONNECTOR SLAT (4)



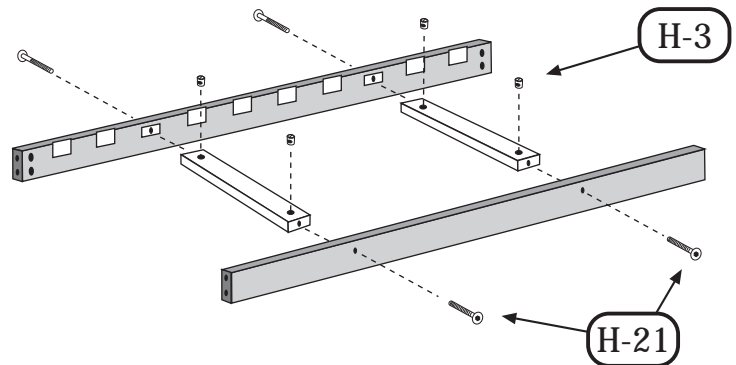
N-55 BED ENDS (2)

HARDWARE LIST

H-1	3" BOLT		16
H-21	2 - 1/2" BOLT		8
H-3	CROSS DOWEL		24
H-10	HEX WRENCH		1

1

Use 2-1/2" Bolts (H-21) and Cross Dowels (H-3) to attach Bed Rails (N-75) and Connector Slats (N-25). Leave the bolts loose until Step 2.

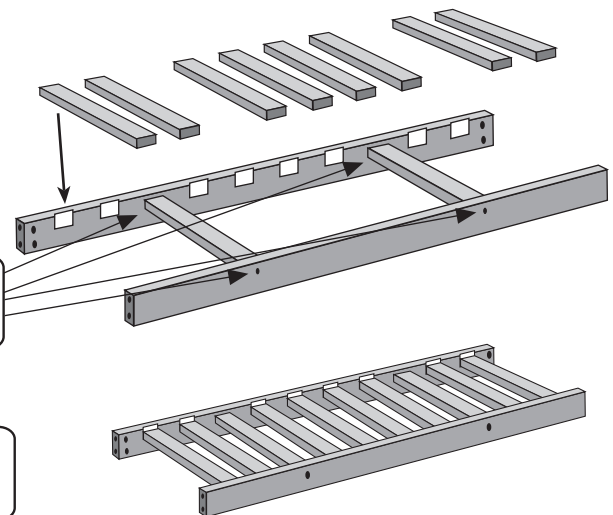


2

Place Regular Slats (N-24) into the pockets and then tighten the bolts. Repeat Steps 1 and 2 for the other Bed Deck.

NOTE: Bolts should be just loose enough to insert the Regular Slats.

NOTE: When the Slats are all in their pockets, tighten the bolts.

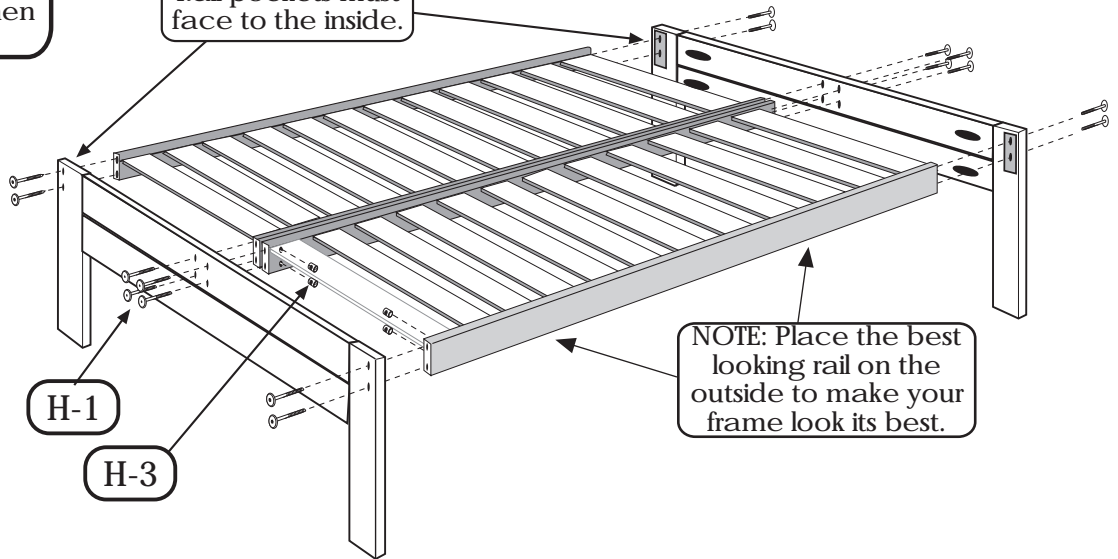


3

Use 3" Bolts (H-1) and Cross Dowels (H-3) to attach the decks to the Bed Ends with the rail pockets facing in.

Leave all bolts loose until both Bed Ends are attached. Then tighten all bolts.

NOTE:
Rail pockets must face to the inside.



NOTE: Place the best looking rail on the outside to make your frame look its best.

PLEASE RETIGHTEN
BOLTS
AFTER 30 DAYS

This futon frame is made with Tulip Poplar. Any green tint in the wood will change to light brown in a few weeks. This will happen in 20 to 30 minutes if placed in direct sunlight. Tulip Poplar can be left unfinished, clear finished, stained, or painted. I prefer the lighter stains over the darker ones because the wood is fairly porous. My favorite is a clear finish with no stain. Satin polyurethane (oil or water based) works well.

Painting: It is best to start with an interior primer and lightly sand before painting.

Staining: Lightly sand before staining. Wipe stain on with a rag until you get the desired color. If you are going to use a top coat (such as polyurethane), do not sand again until after the first coat, and then be careful not to sand away the stain.

Finishing: All finishes work well with Tulip Poplar. A simple wax finish over stain (Minwax for example) is easy. An oil finish such as Danish oil can be used. Or a clear top coat such as polyurethane works well to seal the wood. With polyurethanes, the first coat acts as a sanding sealer. So you should lightly sand (180 - 220 grit sandpaper) after the first coat, wipe the wood clean, and then build up coats for the desired effect.

- Alan

Knockdown Frameworks, Inc. warrants all of its products for five years against any defects that are due to faulty materials or workmanship. We will promptly correct such defects by repair or replacement, at our option, without charge. This warranty covers product defects only and will expire five years after date of purchase by the original consumer purchaser, with proof of purchase required.

This warranty does not apply to damage caused by and resulting from misuse, neglect, accident, or improper operation, maintenance, storage, transportation, or handling of the product. This warranty is for the original consumer purchaser for residential use only and does not apply if the product is used in any commercial application (such as rental property). This warranty does not cover any incidental or consequential damages. If you feel that you have a claim under this warranty, please contact the store from which it was purchased. If this is not possible, call 800-543-3393 for advice on handling your claim.